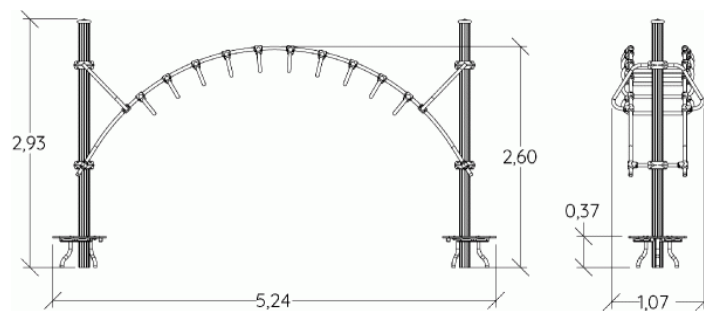


8+ 4 2,4m

1 = 5,24m
2 = 1,09m
3 = 2,93m



Motor inclusion
Sensory inclusion
Mental inclusion



Play value : 3

balancing



getting across

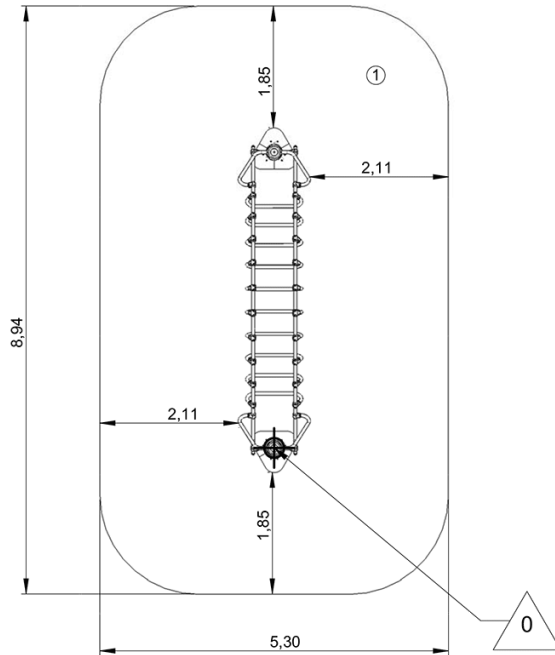
hanging





Installation of equipment

IMPORTANT: It is essential to refer to the installation instructions for information on the size of the safety areas.

-  Impact area (minimum normative surface)
-  Free space



		
1	2,4m	45,5m ²



2



02h00



0.5m³



45.5m²



133kg

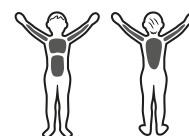


54kg

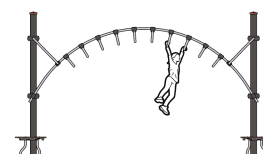




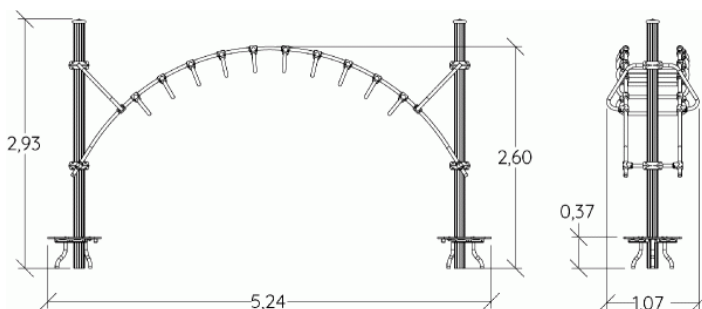
Sports formula



Muscular stimulation



Movements



► Sports activities : 3

balancing



x1

getting across



x1

hanging



x1

muscle strengthening

heart health

balance

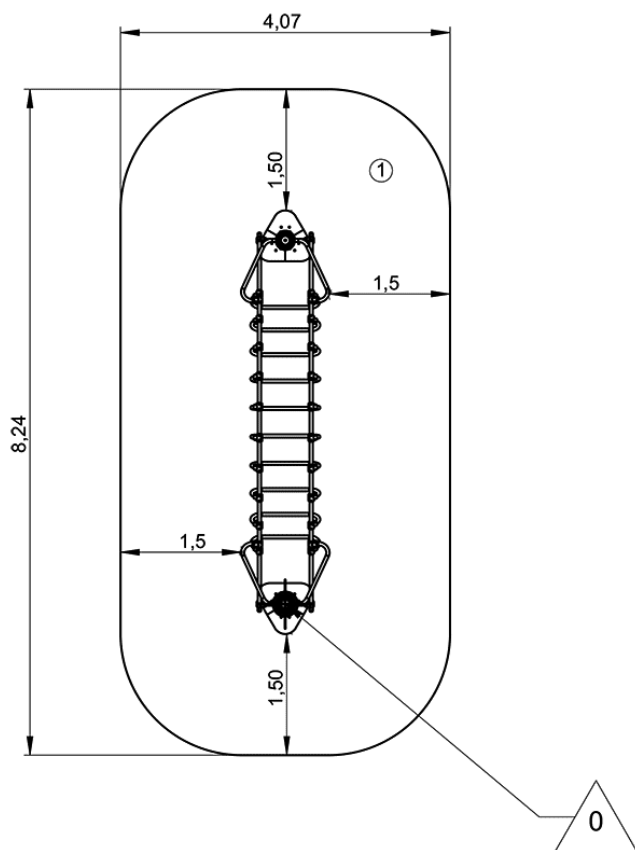
coordination

Installation of equipment

IMPORTANT: It is essential to refer to the installation instructions for information on the size of the safety areas.

———— Impact area (minimum normative surface)

- - - - - Free space



1	1,4m	32m ²
---	------	------------------



2



02h00



0.5m³



45.5m²



133kg



54kg

